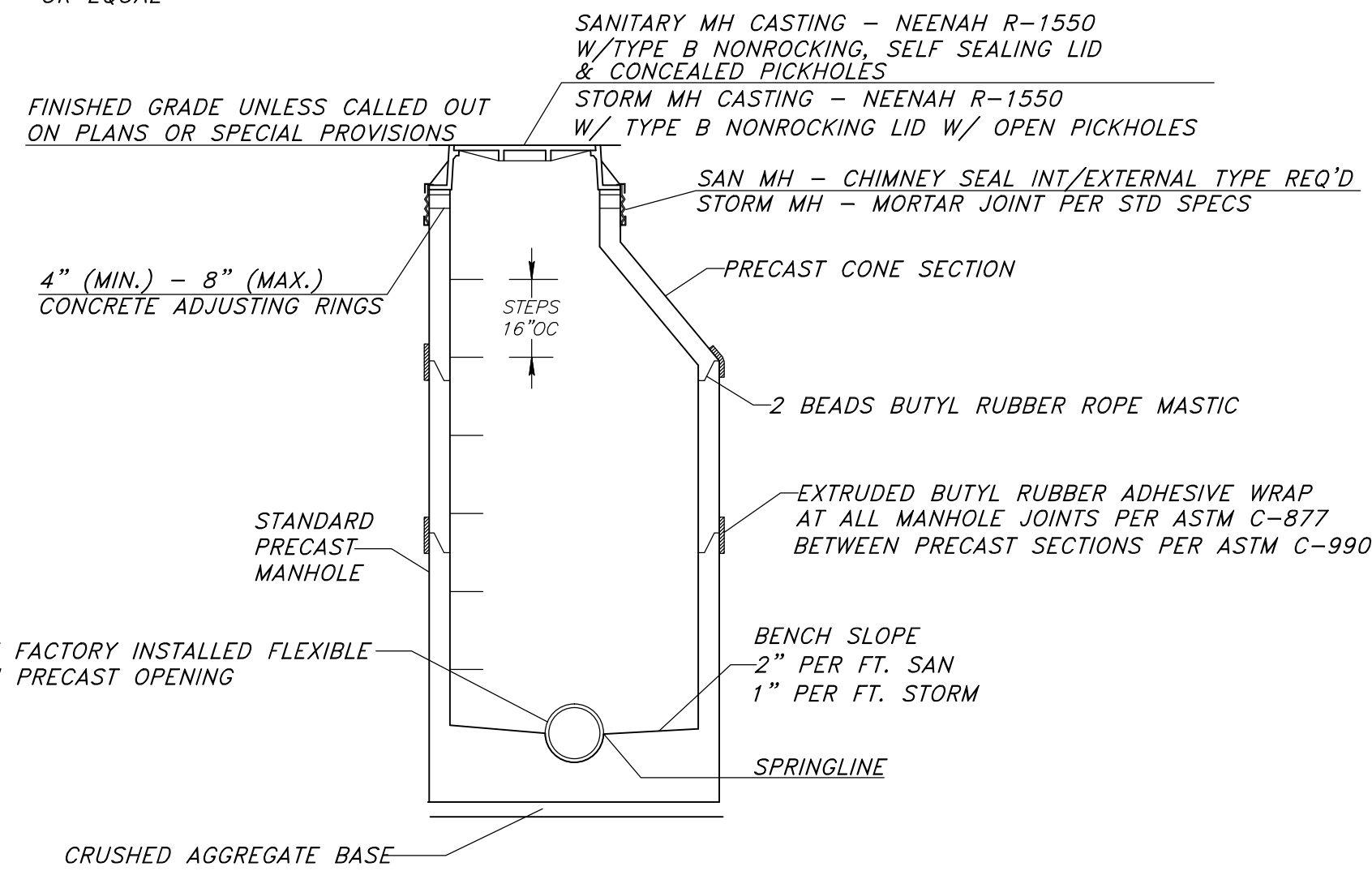
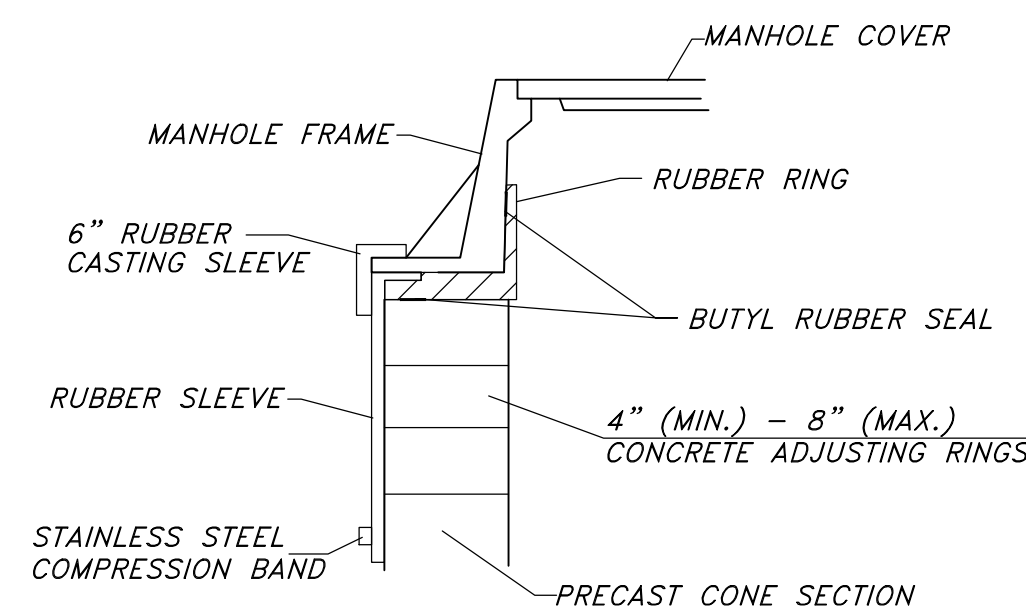


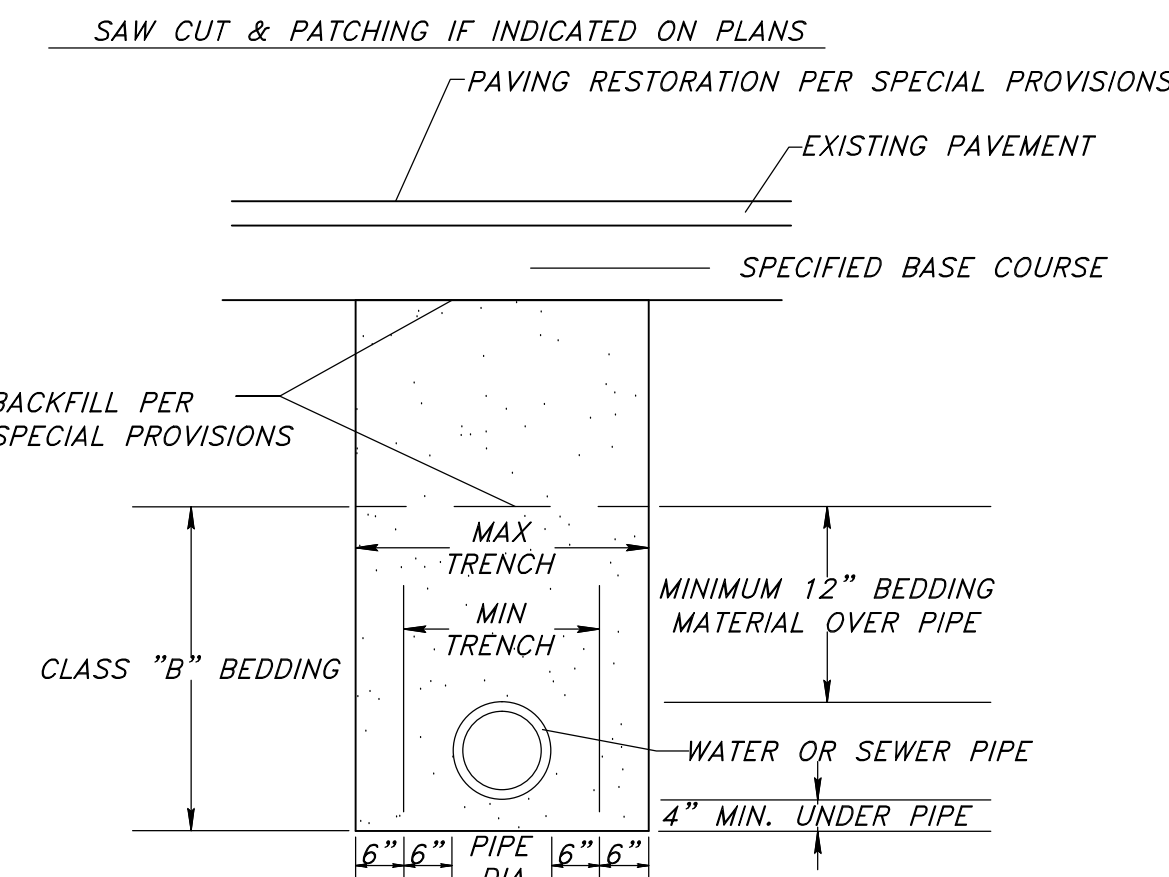
FRAME AND LID FOR SEALED SAN SEWER MANHOLES WHERE CALLED OUT ON PLANS, FURNISH AND INSTALL WATERTIGHT FRAME AND BOLTED LID, NEENAH R-1661 OR EQUAL



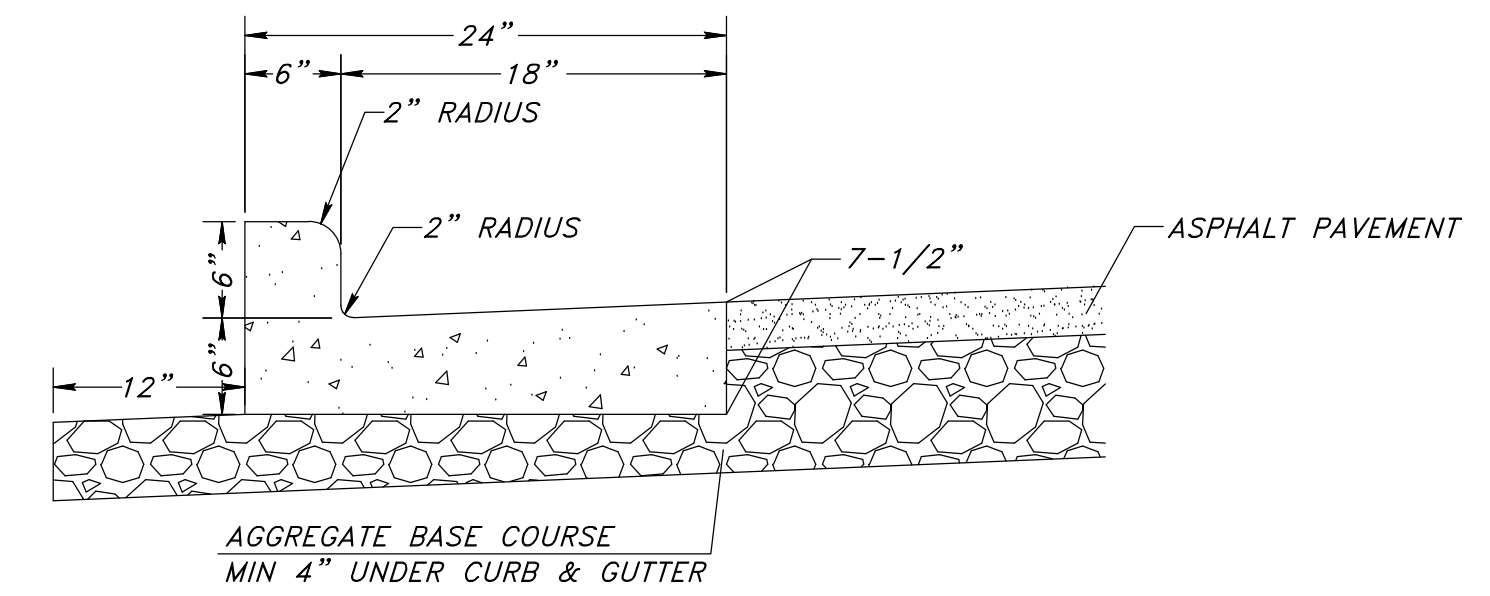
STANDARD MANHOLE DETAIL



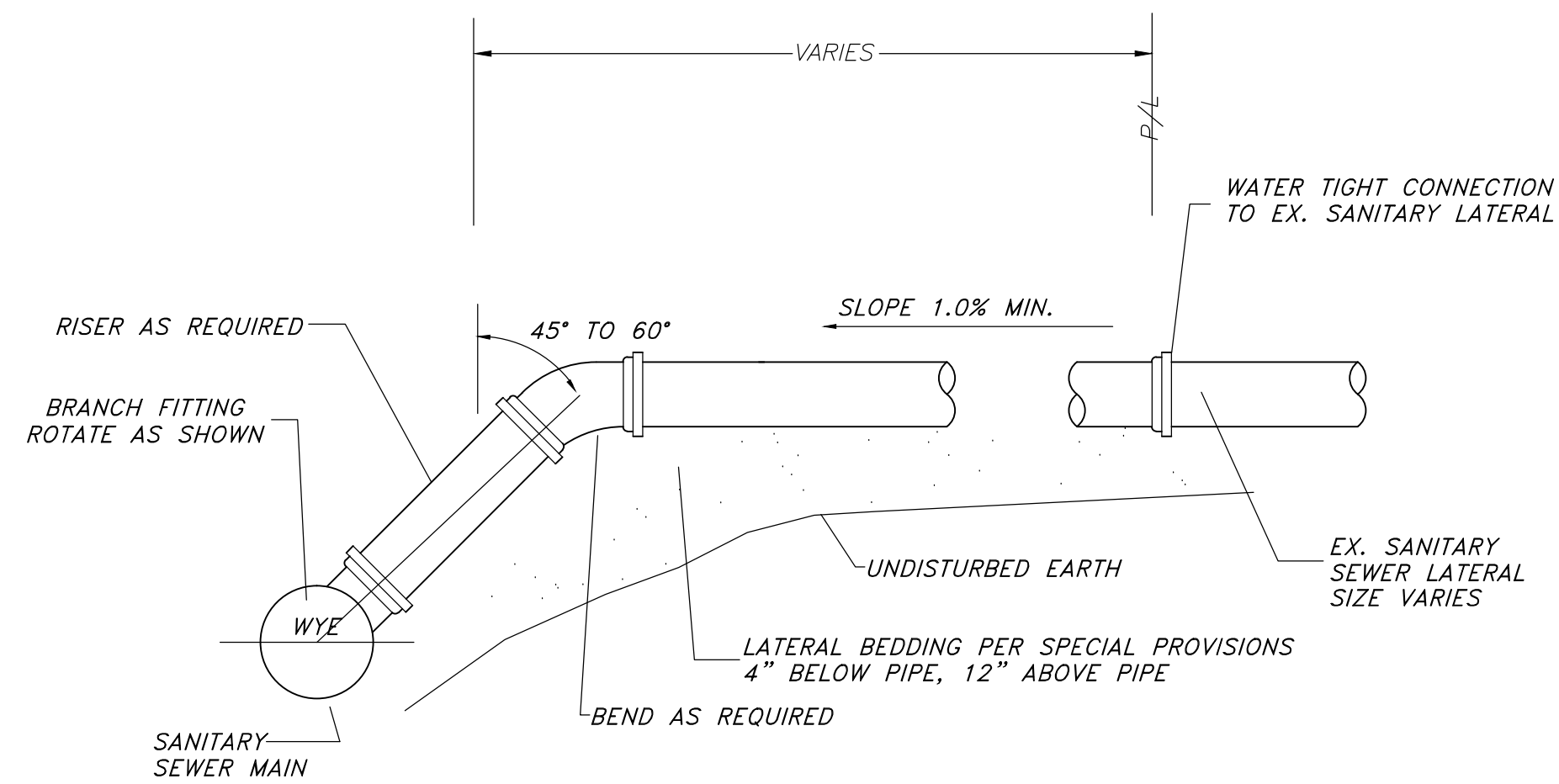
INTERNAL/EXTERNAL FRAME/CHIMNEY SEAL



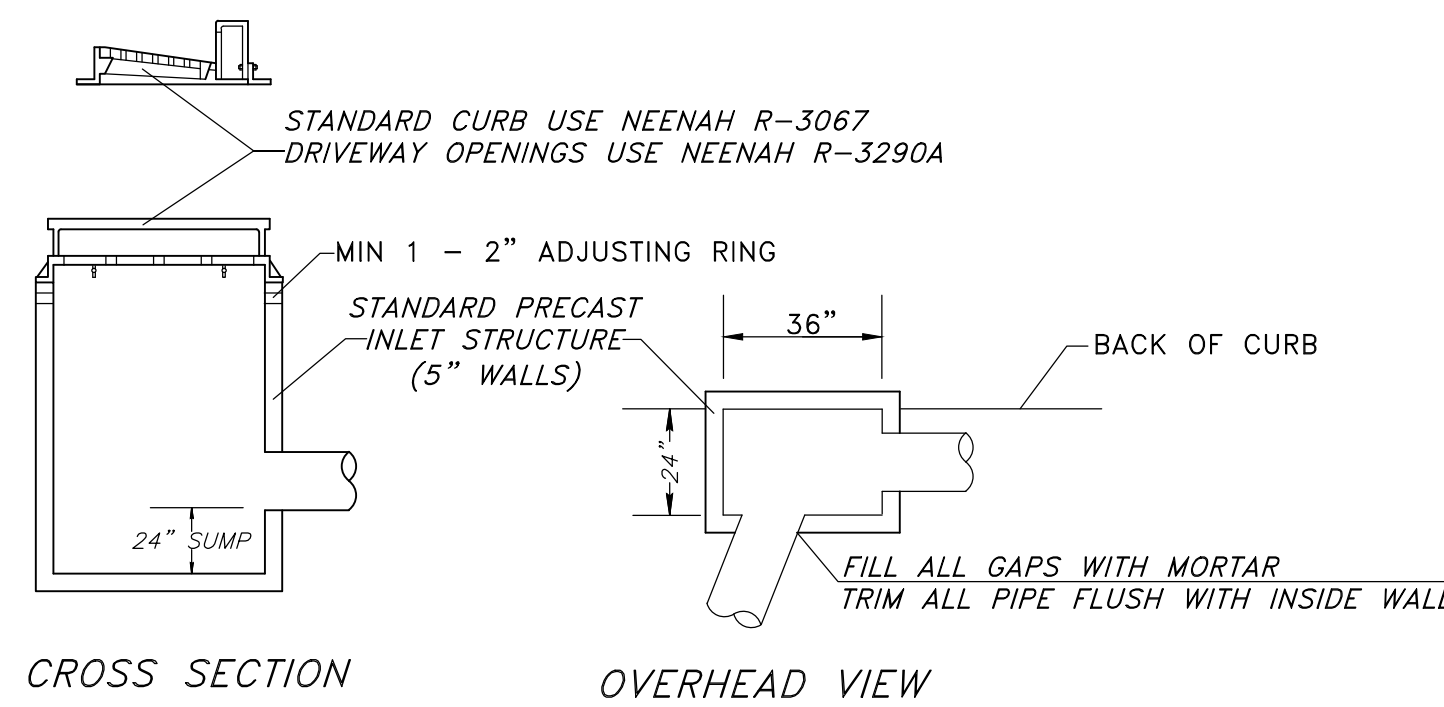
STANDARD TRENCH DETAIL



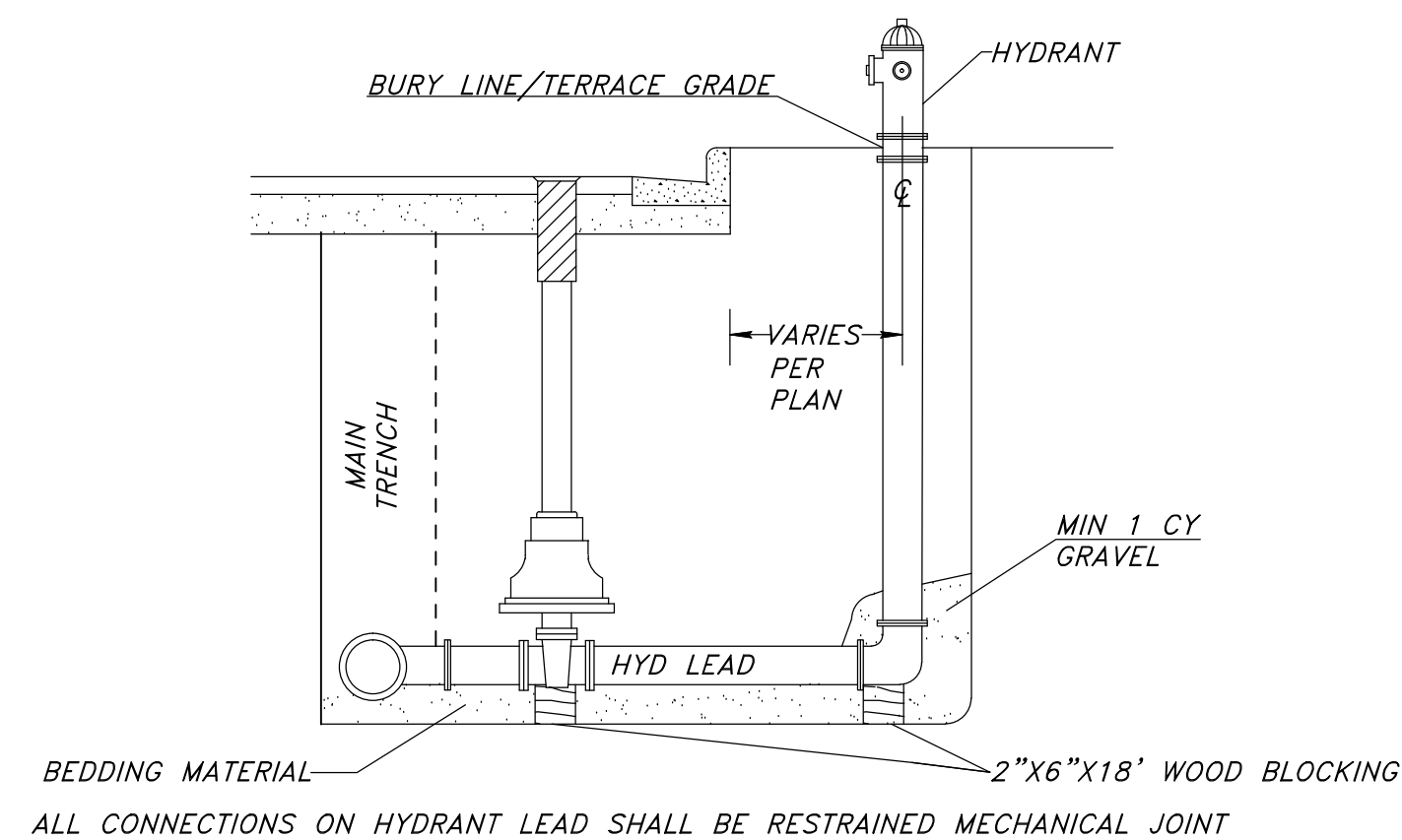
STANDARD TYPE D CURB AND GUTTER ADJACENT TO ASPHALT PAVEMENT NOT TO SCALE



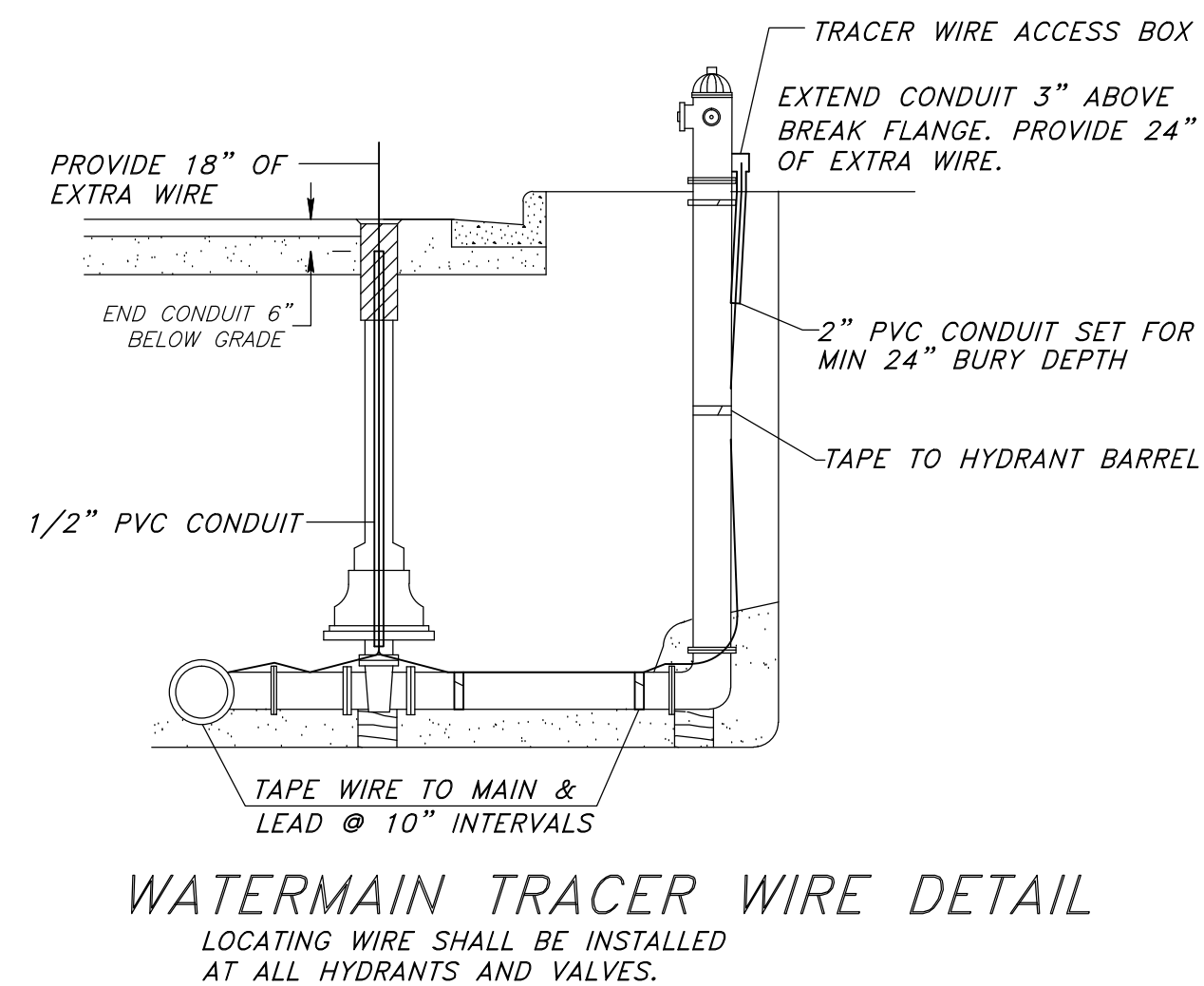
SANITARY SEWER LATERAL



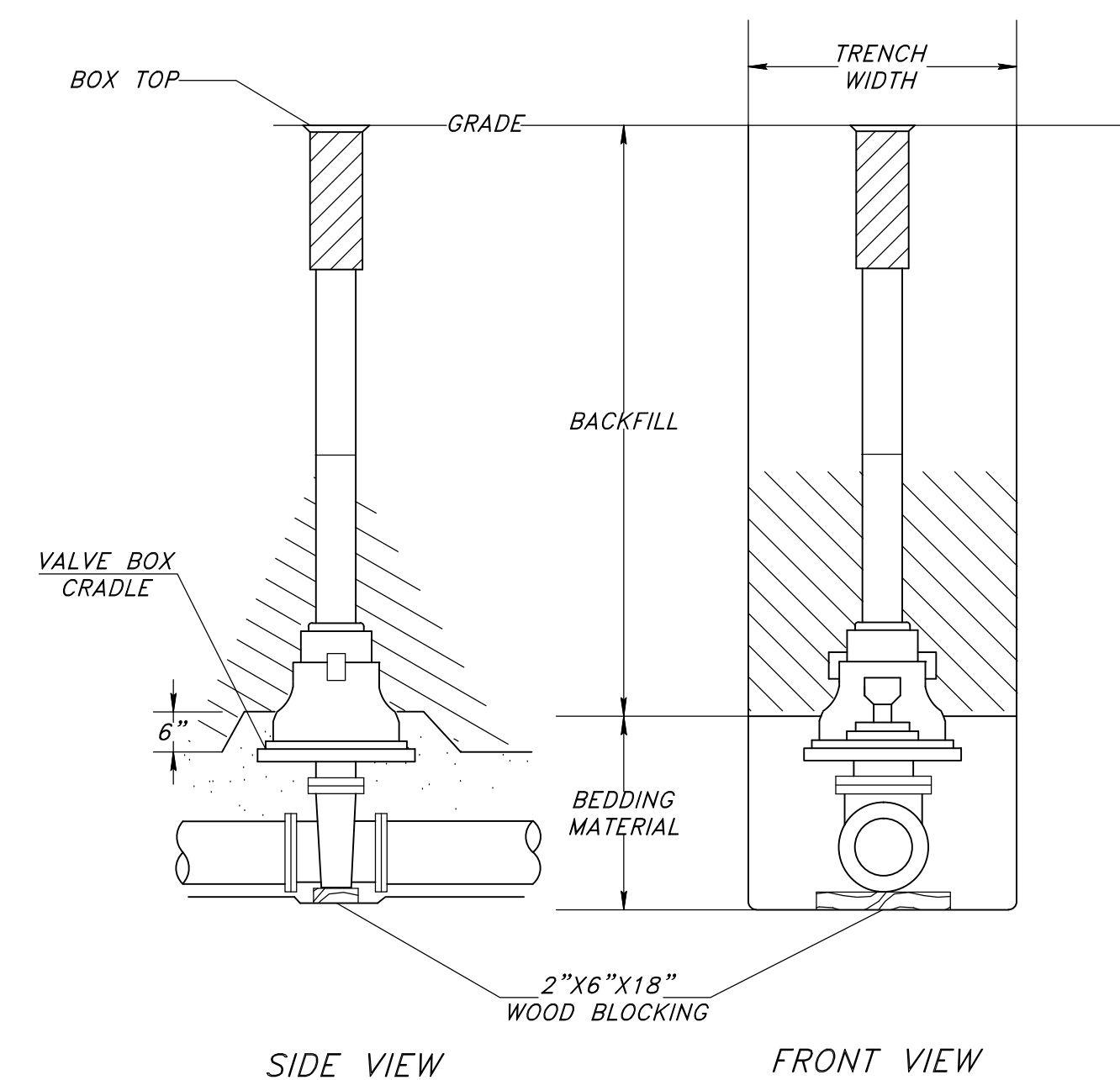
STANDARD CATCH BASIN DETAIL



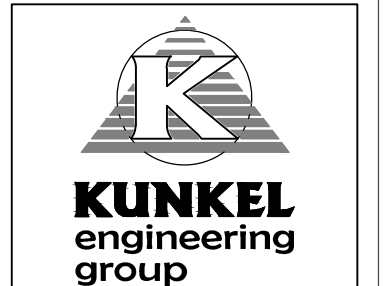
HYDRANT SETTING DETAIL WITH AUXILIARY VALVE



WATERMAIN TRACER WIRE DETAIL



GATE VALVE & BOX SETTING DETAIL



107 Parallel Street
Beaver Dam, WI 53916
(920)356-9447
Fax (920)356-9454

DESIGNED BY:	DATE	INITIALS	DATE	INITIALS
DRAWN BY:	###	###	###	###
CHECKED BY:	###	###	###	###
APPROVED BY:	###	###	###	###
1st REVISION BY:	###	###	###	###
2nd REVISION BY:	###	###	###	###
AS BUILT BY:	###	###	###	###

NOTE:
1. CERTAIN UTILITIES AND/OR STRUCTURES BOTH ABOVE AND BELOW GROUND HAVE BEEN LOCATED ON THE PLANS. THESE LOCATIONS ARE BASED ON RECORD DRAWINGS AND FIELD SURVEY DATA. THE USER SHALL BE RESPONSIBLE FOR VERIFYING THE LOCATION AND DEPTH OF ALL UTILITIES AND/OR STRUCTURES. WHETHER SHOWN ON THE PLANS OR NOT, SHALL BE ASSUMED TO BE A PART OF THE PROJECT. THE USER SHALL BE RESPONSIBLE FOR VERIFYING THE LOCATION AND DEPTH OF ALL UTILITIES AND/OR STRUCTURES. WHETHER SHOWN ON THE PLANS OR NOT, SHALL BE ASSUMED TO BE A PART OF THE PROJECT. THE USER SHALL BE RESPONSIBLE FOR VERIFYING THE LOCATION AND DEPTH OF ALL UTILITIES AND/OR STRUCTURES. WHETHER SHOWN ON THE PLANS OR NOT, SHALL BE ASSUMED TO BE A PART OF THE PROJECT.

City of Waterloo, WI
Commercial Avenue Extension
Standard Detail Drawings

SCALE AS SHOWN:
WORK ORDER NO:
0000
CONTRACT NUMBER:
00-00
SHEET NUMBER:
4 of 5

